

# EL<sup>®</sup>MARK

The Brand of Electricity

## LED PROFILES S77 SERIES

### RECESSED MOUNTING

#### [GENERAL INFORMATION »](#)

- 
- ∴ Rated voltage: 230V/ 50-60Hz
  - ∴ Power: 24W; 48W; 64W
  - ∴ Power supply: 42V SELV driver
  - ∴ Colour temperature: 4000K
  - ∴ Type of LED: SMD
  - ∴ Colour: White; Black; Grey
  - ∴ Body: Aluminium
  - ∴ Reflector: Polycarbonate (PC)
  - ∴ Clamps: Inox
  - ∴ Beam angle: 90°
  - ∴ Colour rendering index: Ra≥80
  - ∴ Switch on/off: >15 000
  - ∴ Long life: 20 000h
  - ∴ Protection against dust and moisture: IP40
  - ∴ Available in variant with an emergency kit

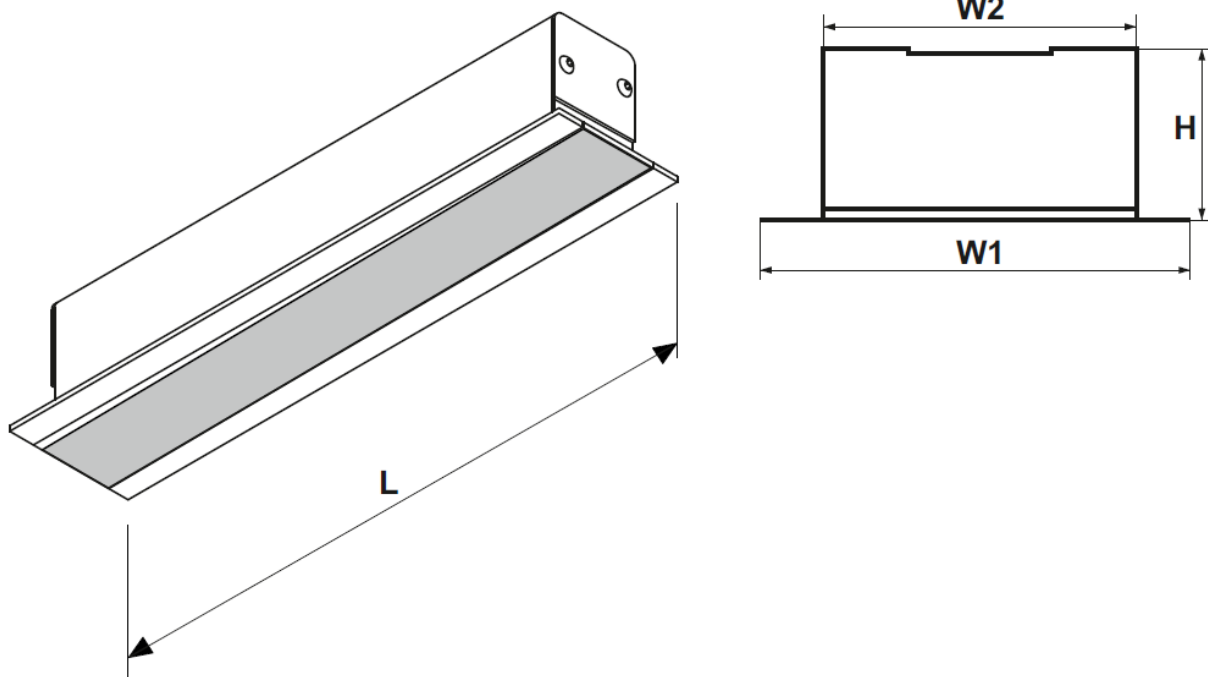
#### [FEATURES »](#)

- ∴ Elegant and practical luminaires
- ∴ Pleasant and uniform light distribution
- ∴ Best alternate For LED tubelites with decorative and aesthetic look
- ∴ Low power consumption
- ∴ Repeated switch on/off does not affect the lifespan
- ∴ Instant light with maximum luminous flux
- ∴ Environmentally friendly - no mercury and lead
- ∴ No ultraviolet and infrared rays
- ∴ Resistant to shock and vibration-free body
- ∴ Low heat emission
- ∴ Suitable for commercial sites, residence buildings, banks, offices

## PRODUCT DETAILS »

Catalogue number	Catalogue number with Emergency kit	Colour	Watt (W)	Whole fixture lumens (lm)	Colour temp. (K)
99BM604024/BL	99BM604024/BL E	Black	24	2280	4000
99BM1204048/BL	99BM1204048/BLE	Black	48	4560	4000
99BM1504064/BL	-	Black	64	6080	4000
99BM604024/WH	99BM604024/WHE	White	24	2280	4000
99BM1204048/WH	99BM1204048/WHE	White	48	4560	4000
99BM1504064/WH	-	White	64	6080	4000
99BM604024/GR	99BM604024/GRE	Grey	24	2280	4000
99BM1204048/GR	99BM1204048/GRE	Grey	48	4560	4000
99BM1504064/GR	-	Grey	64	6080	4000

## DIMENSIONS »



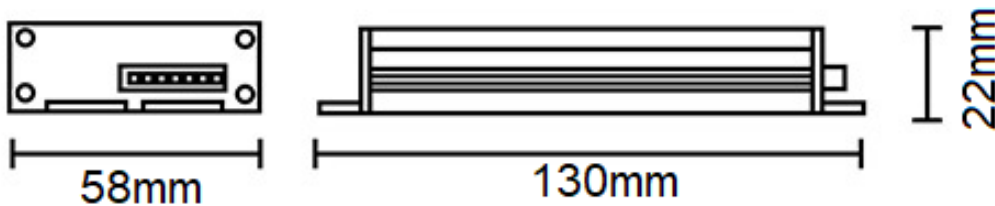
Model	Length (mm)	Width 1 (mm)	Width 2 (mm)	Height (mm)
24W	600	98.5	77.5	27
48W	1200	98.5	77.5	27
64W	1500	98.5	77.5	27

## LED EMERGENCY KIT SPECIFICATIONS »

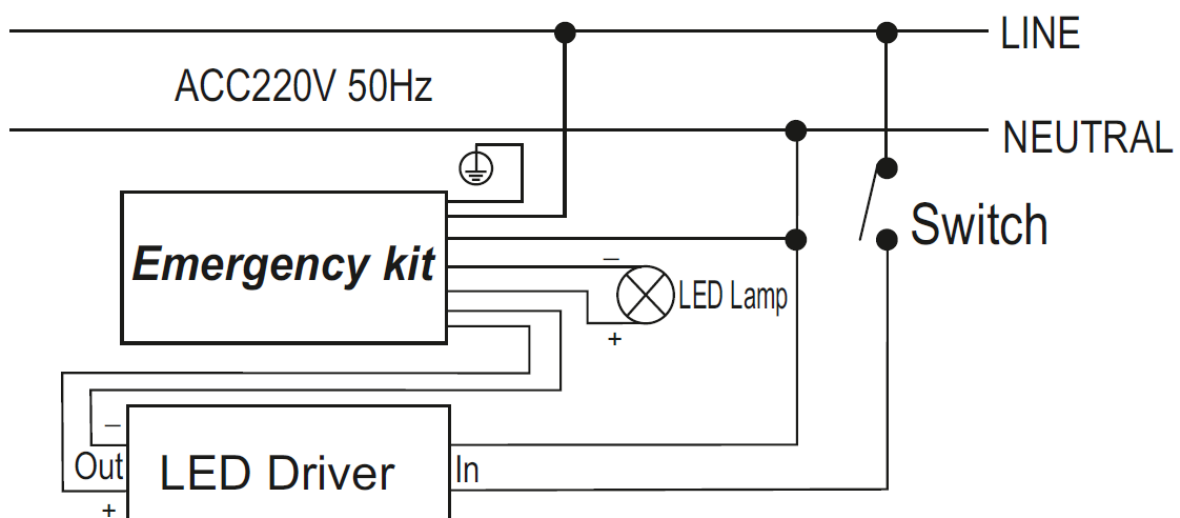


## General information »

- ∴ Voltage: AC85-265V 50Hz
- ∴ Emergency Output: 3-40W
- ∴ Emergency Time: 2hrs (120mins)
- ∴ Battery: 3.7V 2400mAh
- ∴ Emergency Switching Time: <2s
- ∴ AC Fuse: 250V 1A
- ∴ DC Fuse: 250V 5A
- ∴ Luminous Flux: >100lm
- ∴ Light Source: LED
- ∴ Working temperature: -10°C +55°C
- ∴ IP Rate: IP30




## Wiring diagram




● - It indicates the connection    ● Red = Charging    ● Blue = Emergency    ● Green = Power

## ADDITIONAL INFORMATION »

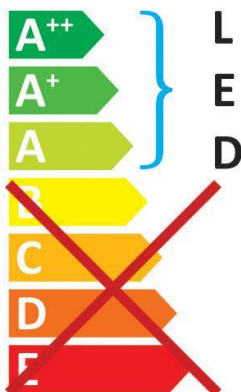


99BM604024/BL

---



This luminaire contains built-in LED lamps.




L  
E  
D

---

The lamps cannot be changed in the luminaire.

874/2012



### Accessories

L-corner for LED profiles S77 series recessed

- White: 99BML/WH
- Black: 99BML/BL
- Grey: 99BML/GR
- size: 450x450mm



Inside corner for LED profiles S77 series recessed

- White: 99BMI/WH
- Black: 99BMI/BL
- Grey: 99BMI/GR
- size: 450x450mm



Catalogue number	Barcode	Packing/Box (pcs)
99BM604024/BL	3800131209900	1/1
99BM1204048/BL	3800131211866	1/1
99BM1504064/BL	3800131209917	1/1
99BM604024/WH	3800131210241	1/1
99BM1204048/WH	3800131212252	1/1
99BM1504064/WH	3800131211040	1/1
99BM604024/GR	3800131210210	1/1
99BM1204048/GR	3800131212054	1/1
99BM1504064/GR	3800131212108	1/1

